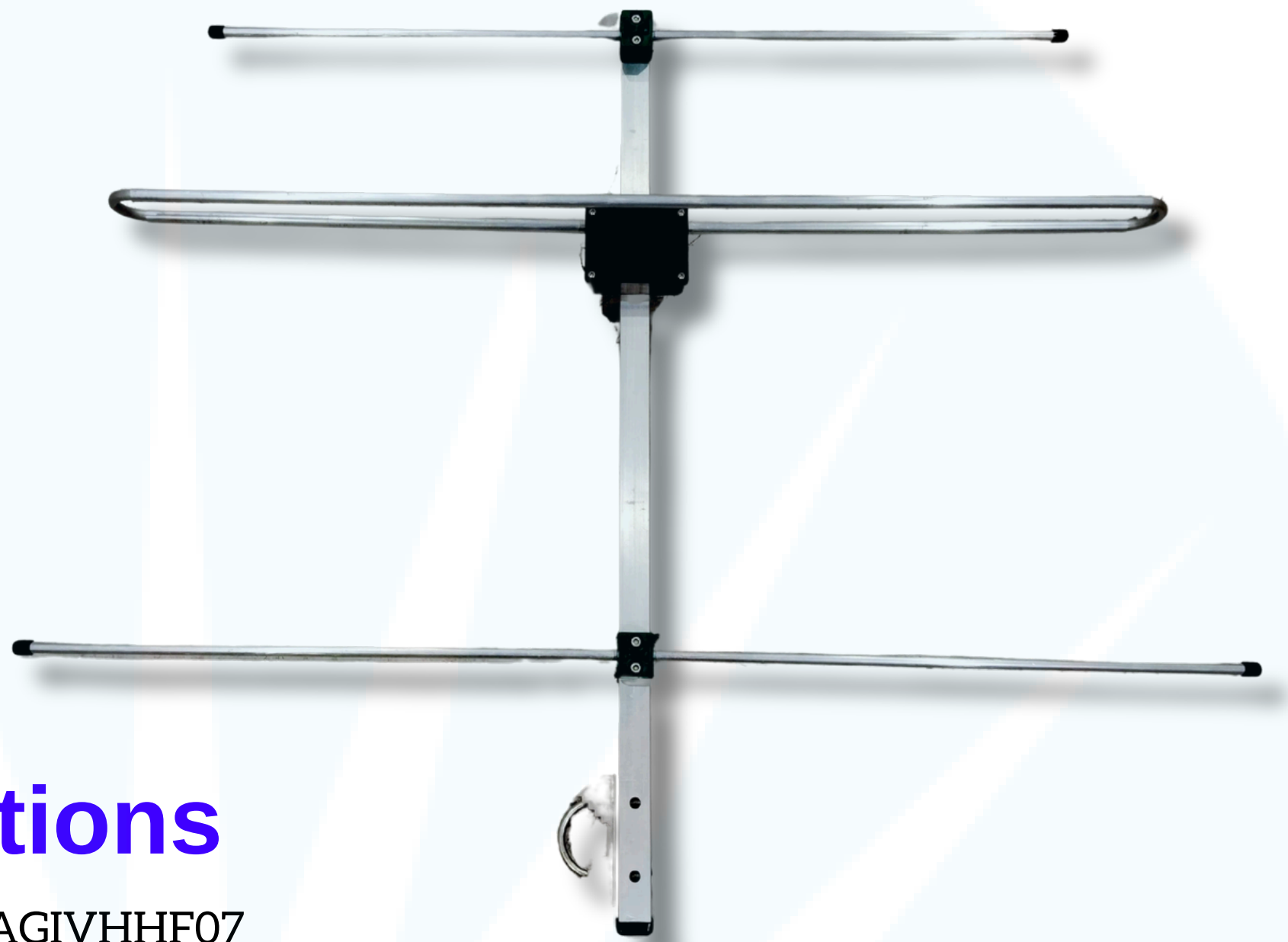
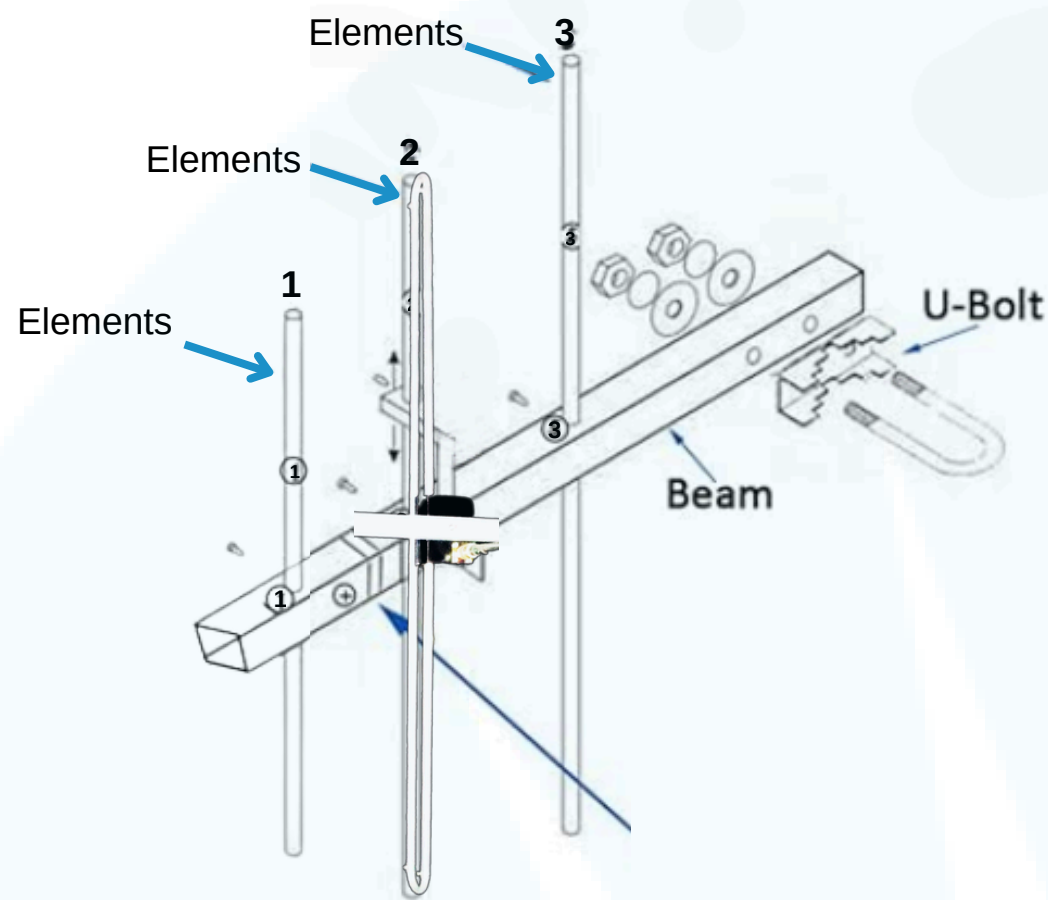


# VHF Yagi Antena

## Wideband 3 Elements VHF Yagi

### 3 Elements



## Technical Specifications

Model No.	YAGIVHHF07
Frequency	136-174 MHz
Gain	7 dBi
F/B	23 dB(Peak)
VSWR	1: 2.1 (38 MHz)
Impedance	50 ohm
Polarization	Vertical
Operating Temp.	-40~+55°C
Power rating/Matching	300 Watts through 4:1 Transformer
Radiation Pattern	Directional
Boom Length	0.8 m
Boom Dimension	25mm*25mm*1.6 mm
Mounting Mast Diameter	1.5 Inch
Longest Element length	0.992 m
Tapered Elements	N/A
Connector	SO-239( N- Type on request)
Turning Radius	0.5 m
Wind speed Survival	175 Km/h
Antenna Weight	0.850 Kg
Material	Aluminium 6063, SS-304, Industrial Grade PP Clamp and Injection moulded ABS DE Box
Compliances	CE compliant
ROHS	ROHS Compliant
Brand	Gleam light India

**CALL OR** **+91-8800386366**

Follow Us For More Updates **GLEAMLIGHTINDIA** /

Info@gleamlightindia.com/www.gleamlightindia.in/gleamlightindia.com/www.gleamindia.com

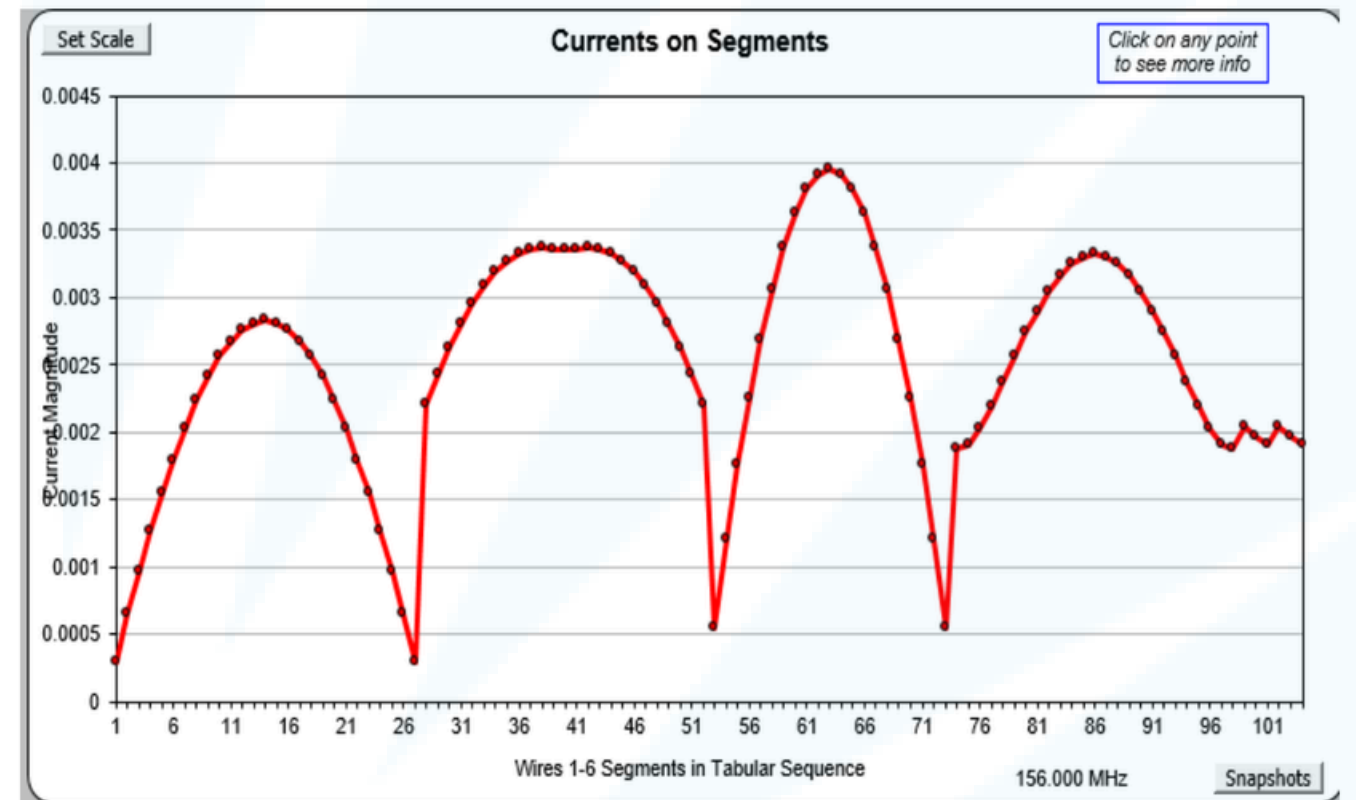
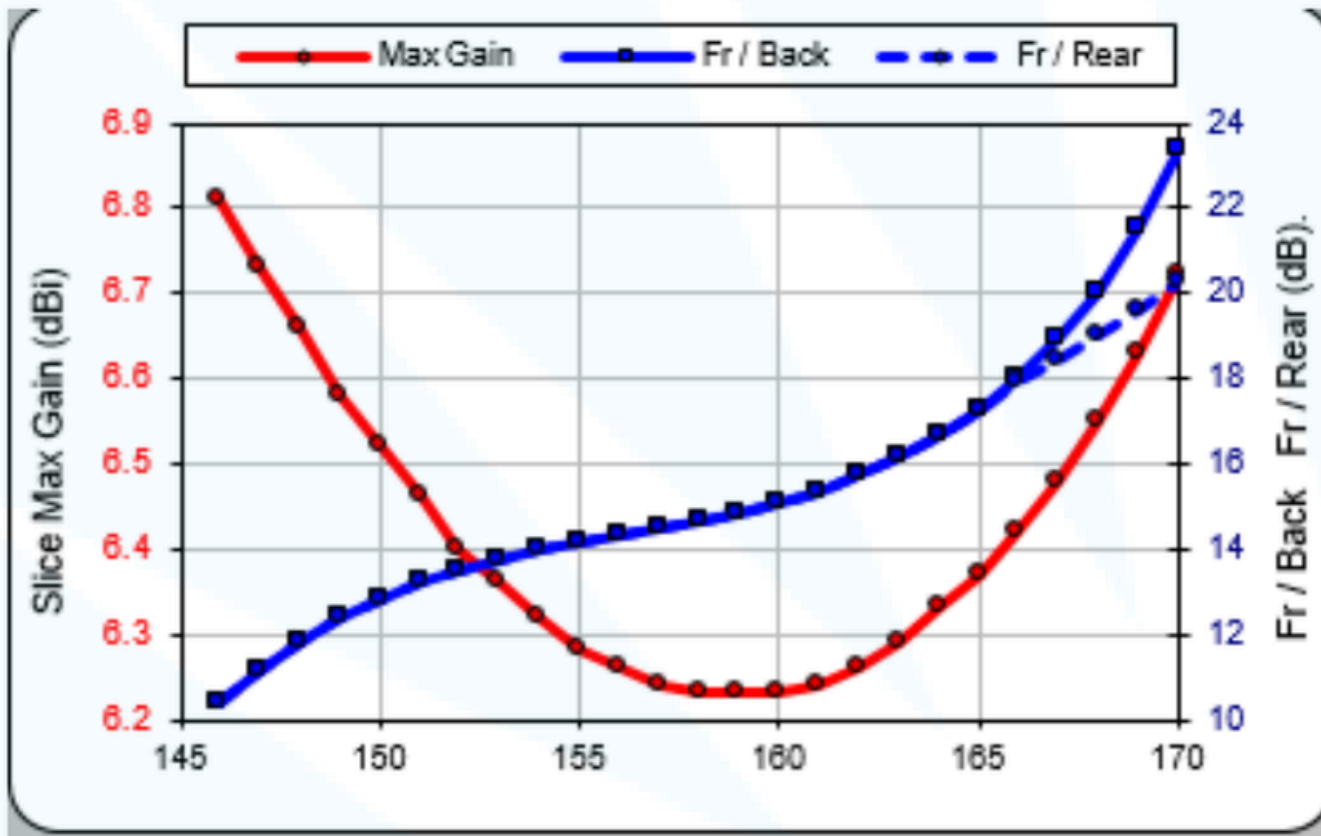
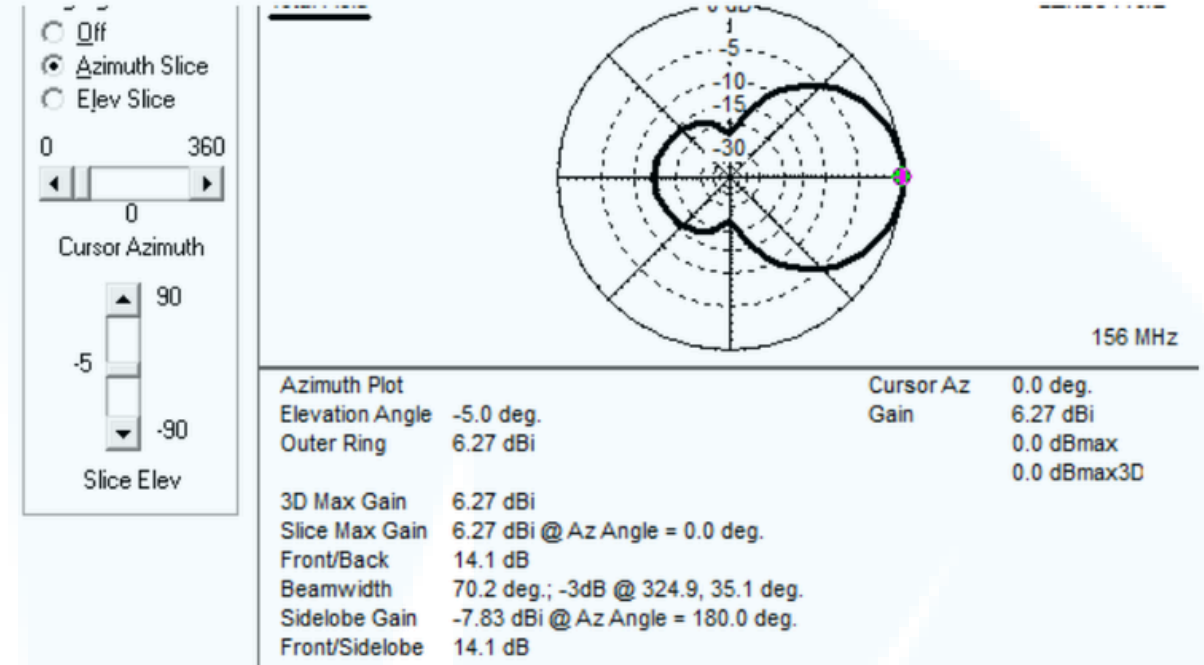
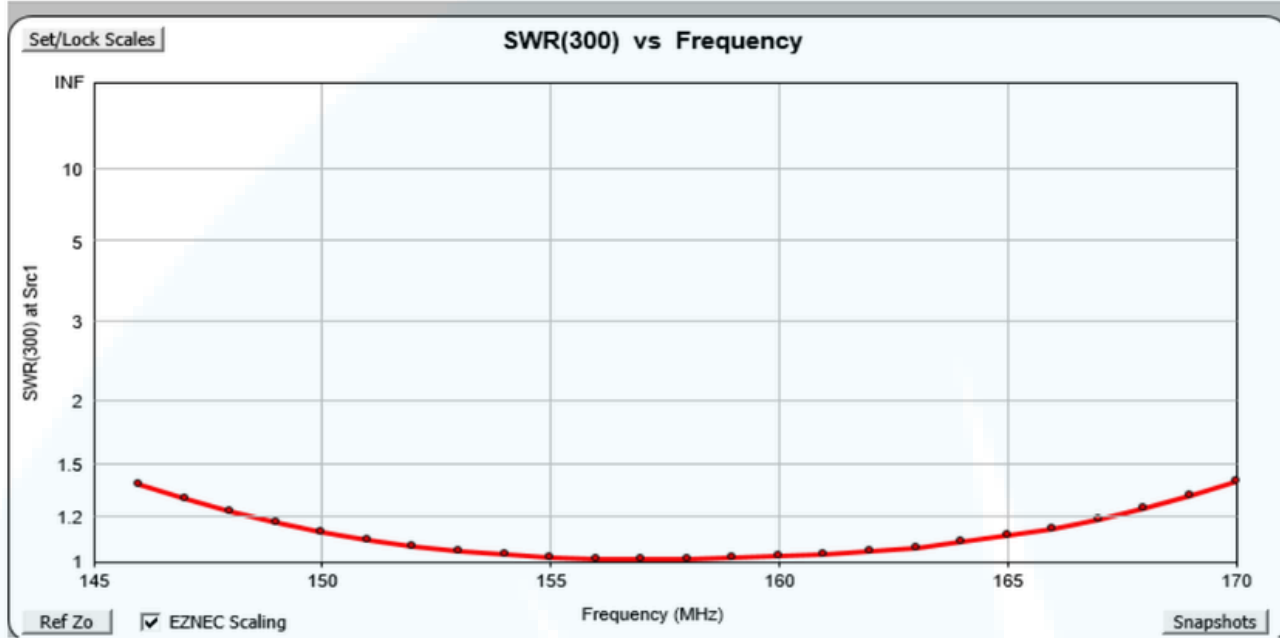
**GLEAM LIGHT INDIA PRIVATE LIMITED**

12B Block -A, Behind Kanishka Garden, Amar Colony Main Rohtak Road Nangloi, New Delhi, Delhi 110041



# VHF Yagi Antenna

## Wideband 3 Elements VHF Yagi



**CALL OR** **+91-8800386366**

Follow Us For More Updates **GLEAMLIGHTINDIA** /

Info@gleamlightindia.com/www.gleamlightindia.in/gleamlightindia.com/www.gleamindia.com

**GLEAM LIGHT INDIA PRIVATE LIMITED**

12B Block -A, Behind Kanishka Garden, Amar Colony Main Rohtak Road Nangloi, New Delhi, Delhi 110041

